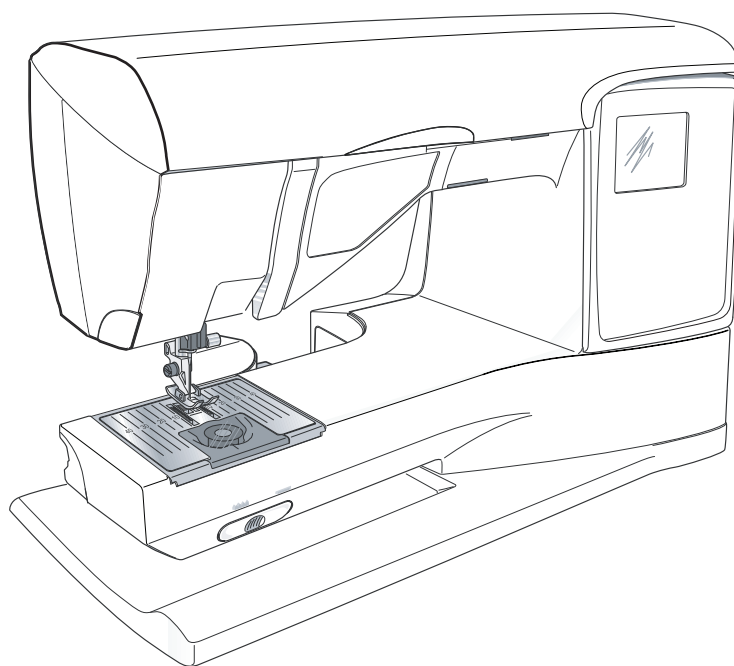
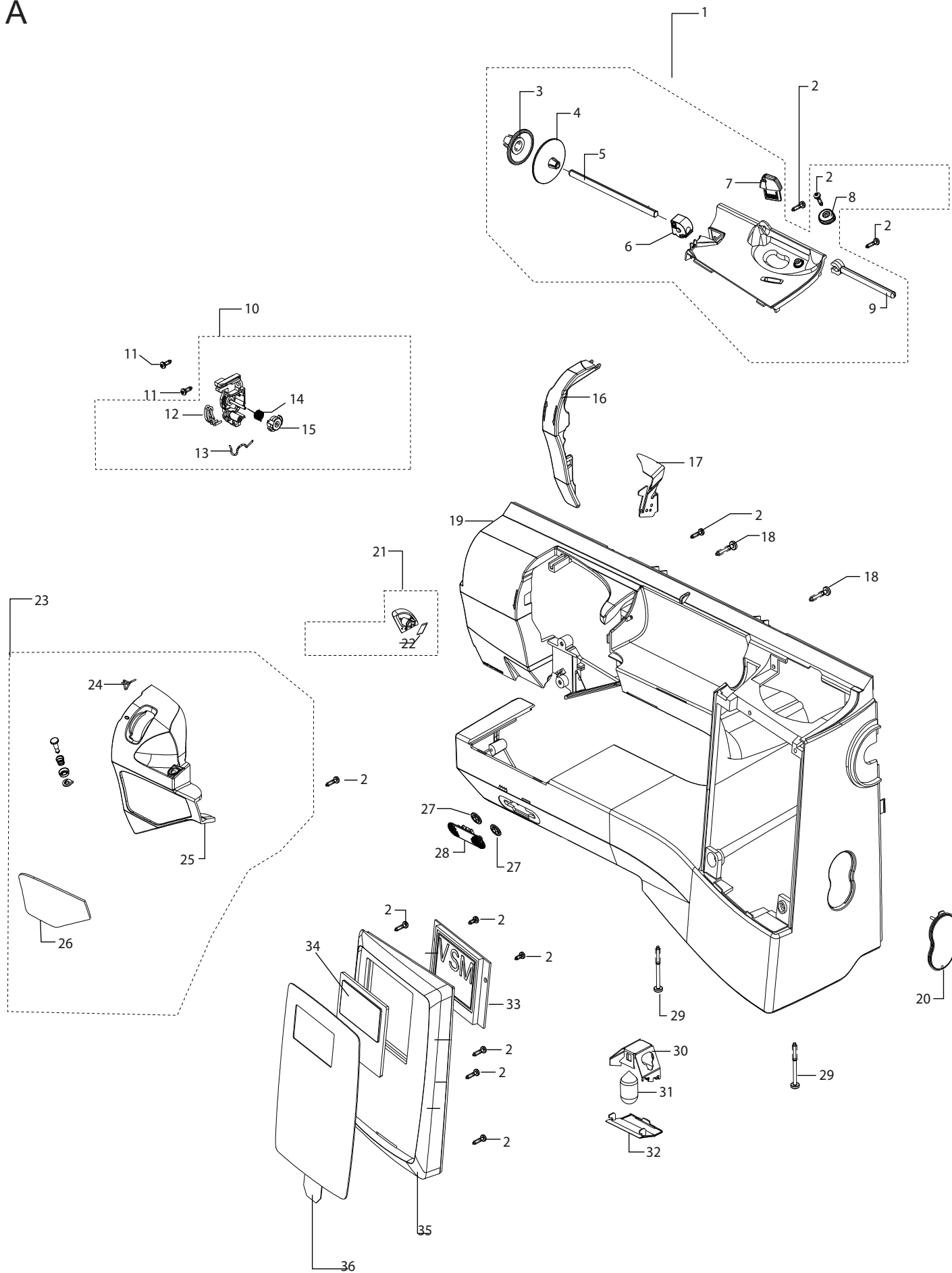


Parts List



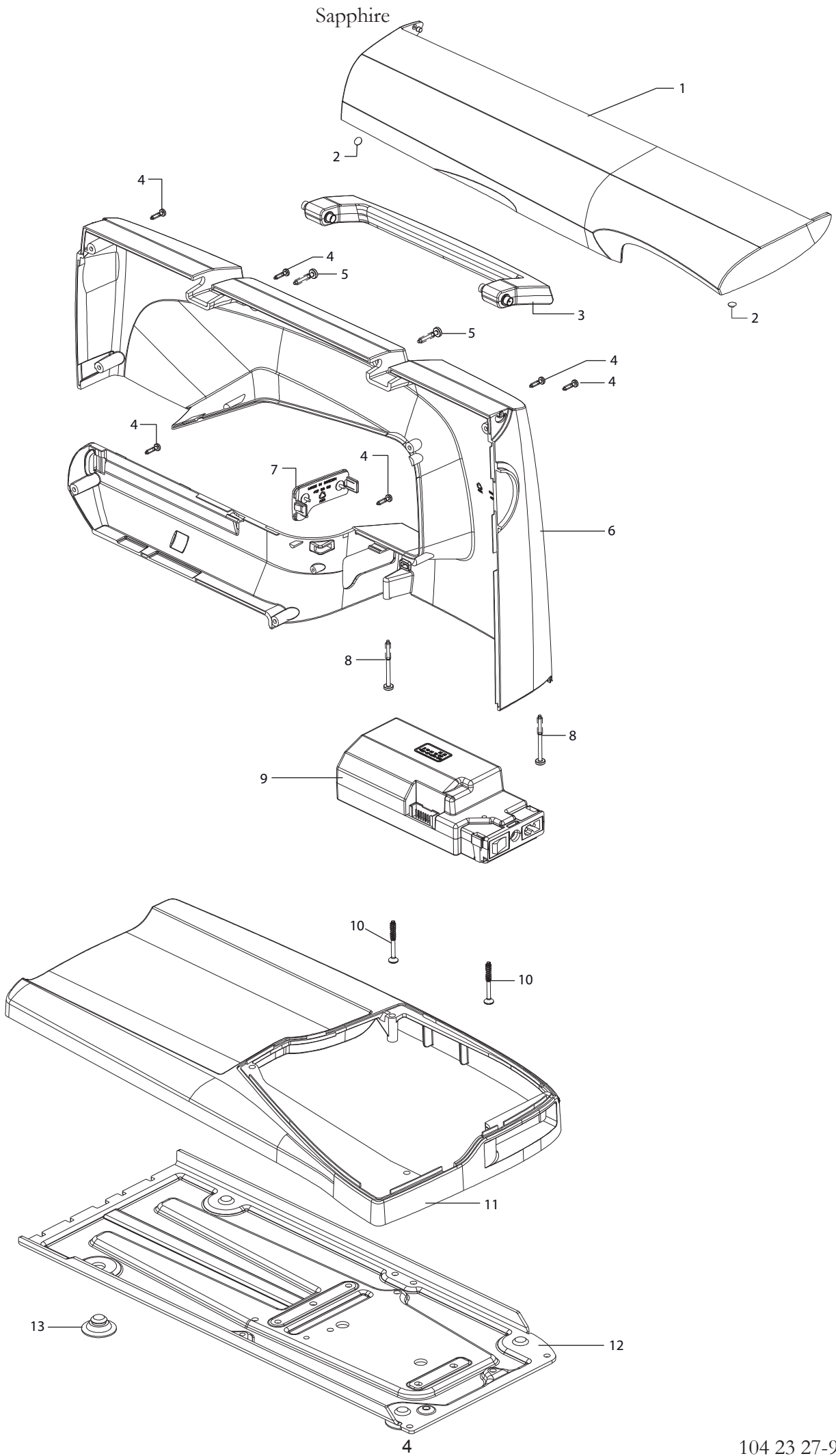
Sapphire
830,850,870
835,855,875

A



1	412960101	COVER BOBBIN WIN. CPL. NO MOTOR
2	411966803	SCREW PT 30*12 FZB TORX
3	413051602	SPOOL HOLDER 35 MM
4	413051603	SPOOL HOLDER 45 MM
5	412521001	REEL PIN
6	412960301	GUIDE, REEL PIN
7	413022501	COVER THREADKNIFE CPL. WIN.AV.
8	412979601	WINDING STOP
9	412960401	THREAD REEL PIN
10	413004004	THREAD SENSOR CPL.
11	411966820	SCREW 30*10 FZB KOMBITORX
12	412519301	THREAD GUIDE
13	413004501	THREAD CONTROL, THREAD SENSOR
14	412519202	CHECK SPRING
15	413043001	LINK IDT, LONG
16	413047602	THREAD GUIDE
17	412981302	THREAD GUIDE CPL.
18	411966810	SCREW PT 40*20 FZB TORX
19	412978501	FRONT COVER
20	412988601	COVER USB
21	413022001	COVER THREAD KNIFE CPL.
22	412423701	THREAD CUTTER
23	412970001	THREAD TENSION COVER HV MECH.(830/850)
	412970002	THREAD TENSION COVER HV MOTOR (870)
	412970005	THREAD TENSION COVER HV MECH. (835/855)
	412970006	THREAD TENSION COVER HV MOTOR (875)
24	412981602	THREAD GUIDE
25	412970101	THREAD TENSION COVER MECH.
	413018901	THREAD TENSION COVER HV MOTOR
26	413019501	KEYBOARD,SEWINGHEAD (830/850)
	413019502	KEYBOARD,SEWINGHEAD (835/855)
	413019601	KEYBOARD,SEWINGHEAD (870)
	413019603	KEYBOARD,SEWINGHEAD (875)
27	735583001	STARLOCK WASHER
28	412989201	FEED DOG LOWERING BUTTON
29	411966812	SCREW PT 40*40 FZB TORX
30	412605001	REFLECTOR
31	413181802	LAMP 24V, 5W, PREPACKED
32	412985301	LAMP COVER
33	413009001	PCB ASSEMBLY, LCD HV
	413009301	PCB ASSEMBLY, LCD
34	412977301	GLASS
	413018101	GLASS
35	412960901	PANEL
36	412977401	KEYBOARD PANEL (830)
	412977402	KEYBOARD PANEL (835)
	413019701	KEYBOARD PANEL (850)
	413019702	KEYBOARD PANEL (855)
	413019801	KEYBOARD PANEL (870)
	413019802	KEYBOARD PANEL (875)

B

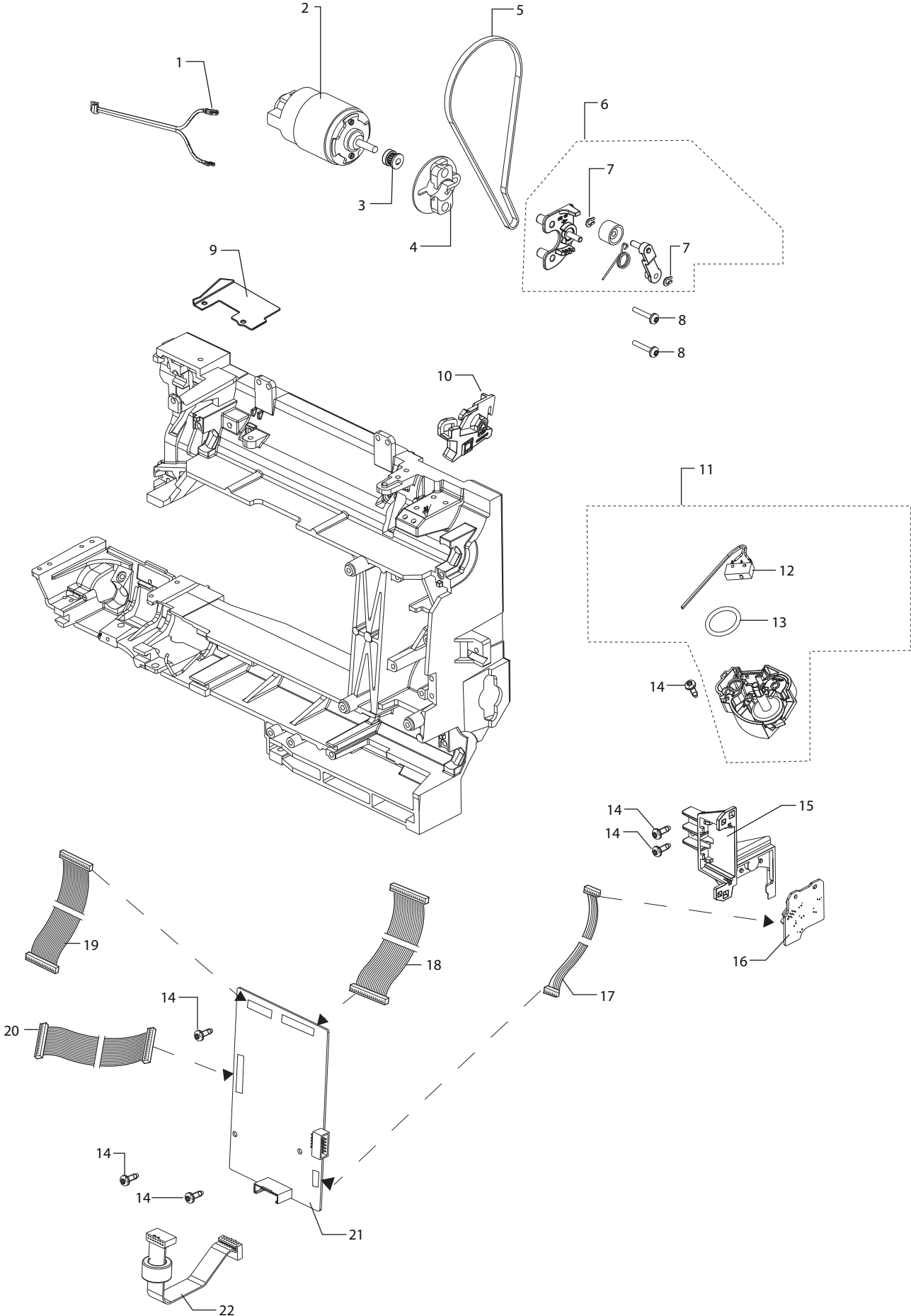


Sapphire

B

1	412960506	LID (830)
	412960507	LID (850)
	412960503	LID (870)
	412960506	LID (835)
	412960507	LID (855)
	412960508	LID (875)
2	412569701	DAMPER
3	412954701	HANDLE
4	411966803	SCREW PT 30*12 FZB TORX
5	411966810	SCREW PT 40*20 FZB TORX
6	412959101	BACK COVER
7	412966201	COVER
8	411966812	SCREW 40*40 FZB TORX
9	413019203	POWER SUPPLY CPL.
10	411967107	SCREW PT FS 40*35 FZB TORX
11	412959202	BOTTOM COVER
12	412954501	BOTTOM PLATE

C

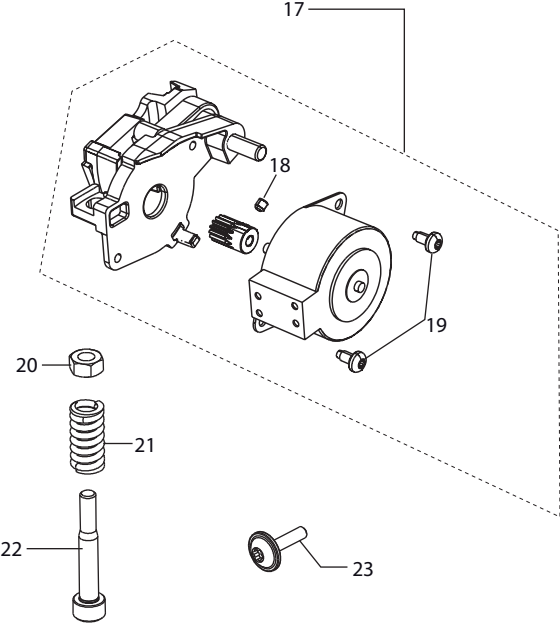
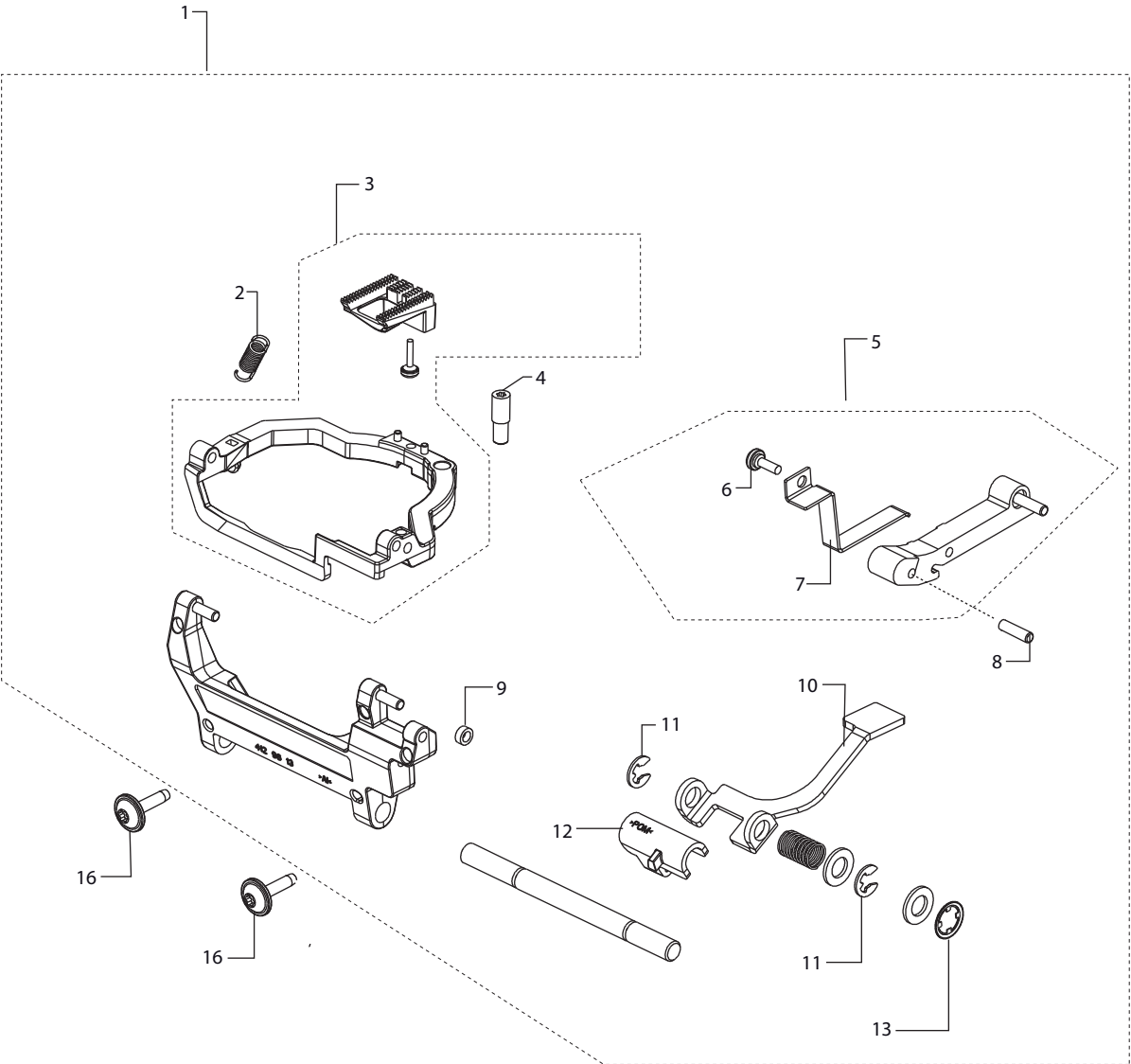


Sapphire

C

1	413056901	CABLE MAIN MOTOR
2	9233011191000	ENGINE DOMEL
3	412353302	DRIVING WHEEL MOTOR 350, 400, 500
4	412999901	RUBBER DAMPER. MOTOR
5	413020201	COG BELT MOTOR
6	412971901	BELT STRETCHER CPL.
7	735613640	COMPRESSION RINGS Ø4
8	412211415	SCREW M4*20 TORX
9	413286401	THREAD GUIDE
10	413024101	CABLE LOCATOR
11	412955501	BOBBIN WINDING UNIT
12	413049101	MICRO SWITCH CPL.
13	412305503	O-RING
14	412056006	SCREW TAPTITE M4*12 TORX
15	412985501	HOLDER
16	412986401	SENSOR BOARD, ASS.
17	412546913	CABLE ASSEMBLY (6P)
18	412546911	CABLE ASSEMBLY (20P)
19	412546910	CABLE ASSEMBLY (14P)
20	412546912	CABLE ASSEMBLY (18P)
21	413016652	CONTROL BOARD (830, 835)
	413016653	CONTROL BOARD (850, 855)
	413016654	CONTROL BOARD (870, 875)
22	412349703	CABLE TRANSF-CONTROL BOARD

D

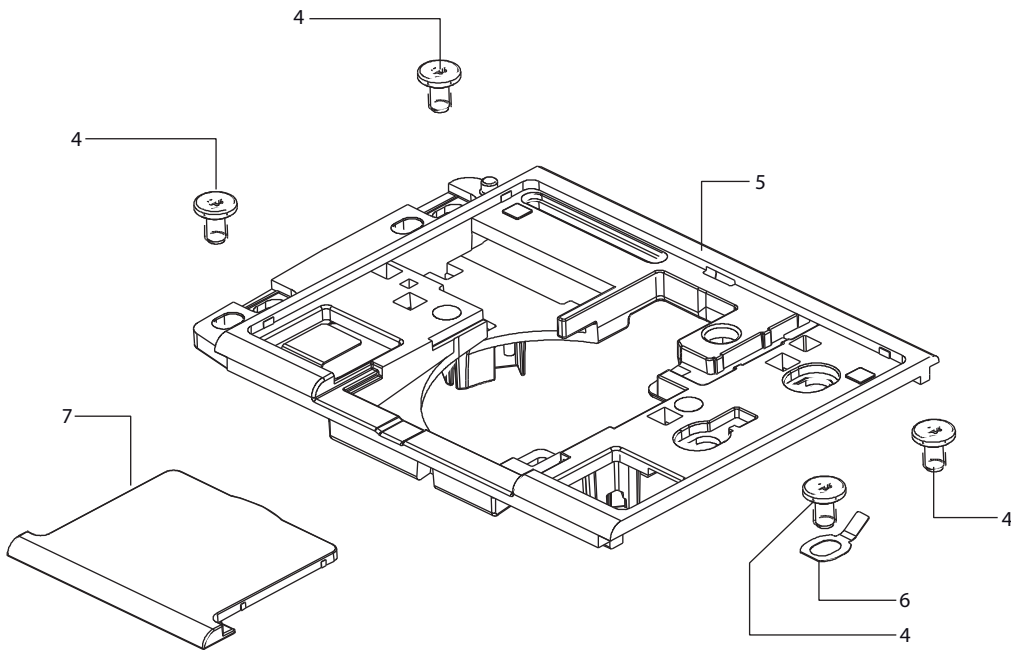
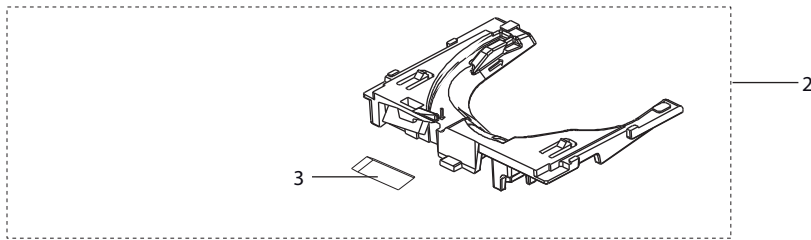
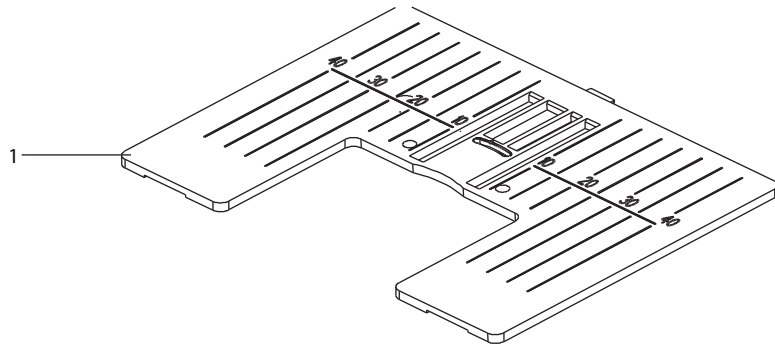


Sapphire

D

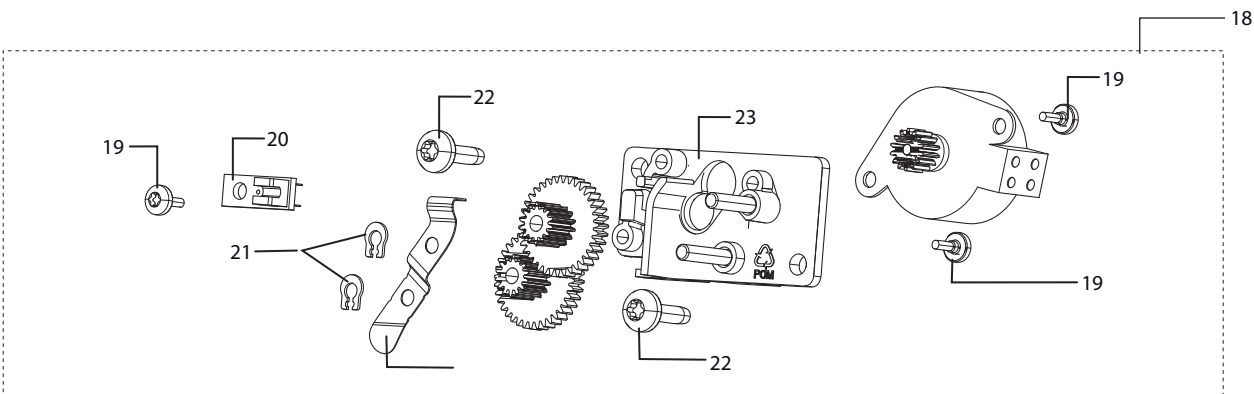
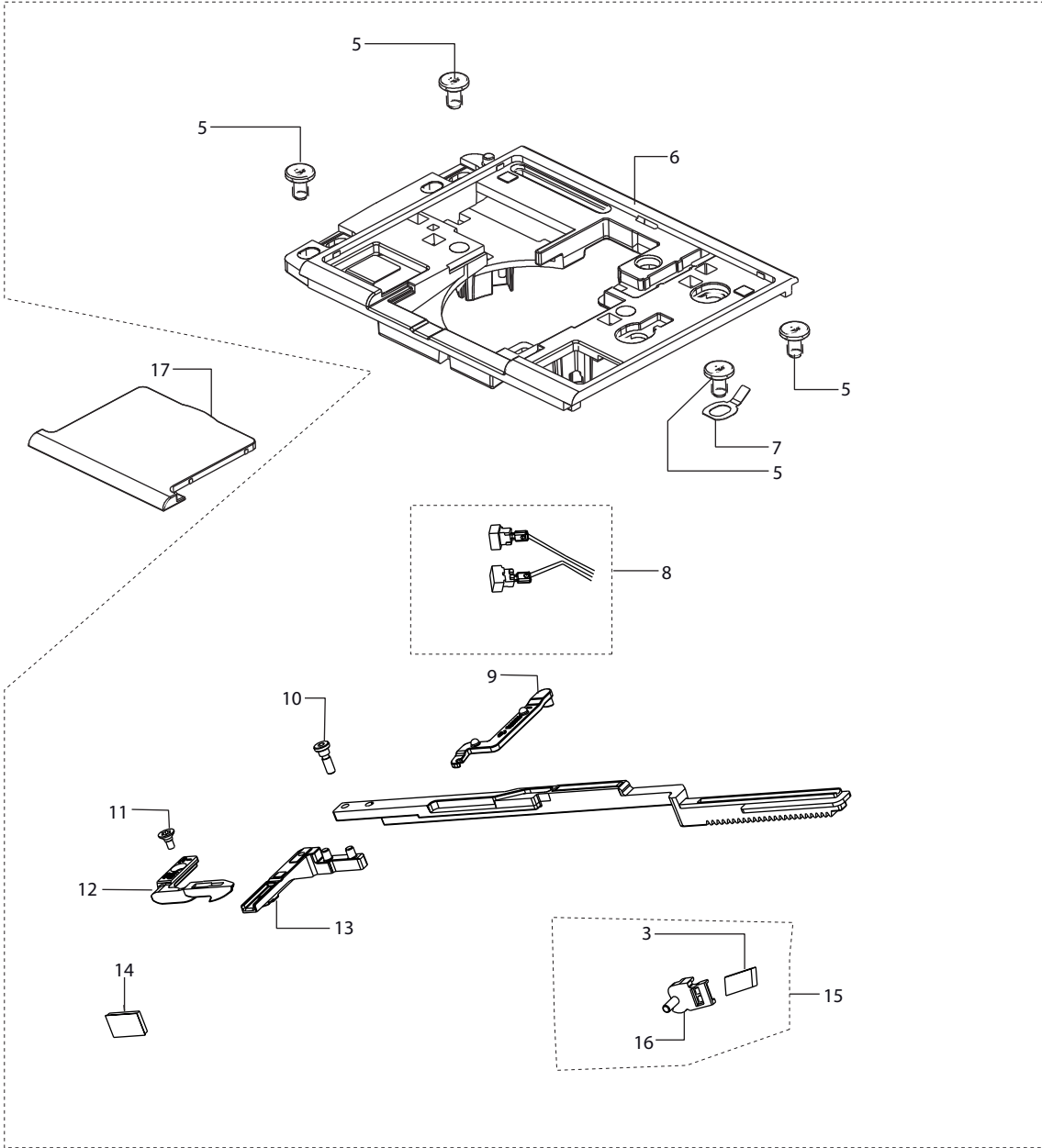
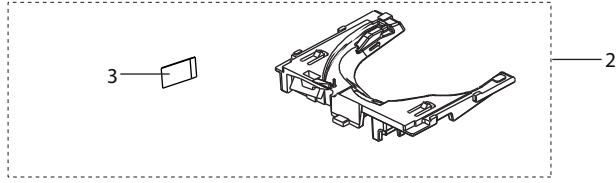
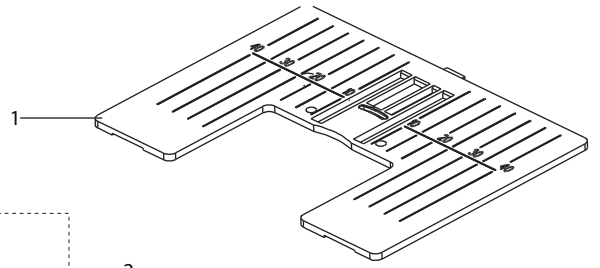
1	412961101	FEED UNIT PART CPL.
2	413270001	TENSION SPRING, FRAME FEED DOG
3	412963001	FEED DOG CPL.
4	412962801	ADJUSTING SCREW, FEED DOG
5	412961601	LINK, CARRIAGE FEED CPL.
6	412056004	SCREW TAPTITE M3*6 TORX
7	412961501	SPRING, FEED
8	412316023	INA PIN NRB 4*19,8 0-2UM
9	413007801	SPACER, FEED
10	412962401	LEVER, LIFT FEED
11	735310820	LOCK WASHER 4
12	413004701	INSERT, LEVER FEED LIFT
13	412368001	LOCK WASHER
14	412961701	SPRING,SLIDING BLOCK
15	412961801	BLOCK, GUIDE
16	413169401	COLLAR SCREW TT TORX 4*14
17	412963501	STEPPING MOTOR UNIT, FEED
18	411968703	SET SCREW FLAT, M3*3 TORX
19	412056011	SCREW TAPTITE M3*5 TORX
20	413025401	NUT M5*0,5
21	412963601	SPRING
22	412963701	SCREW BALANCE ADJUSTMENT
23	413034402	COLLAR SCREW M4*10, LEFT HAND

E



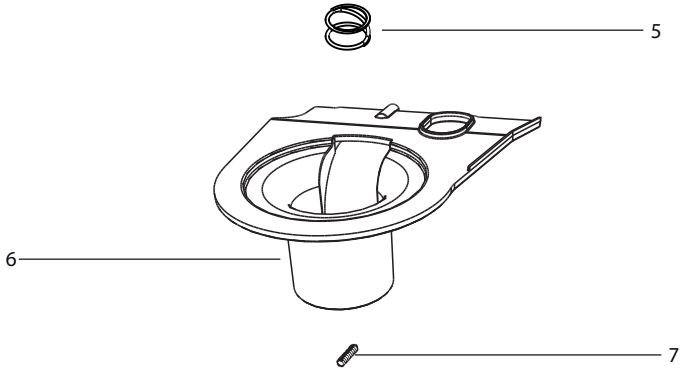
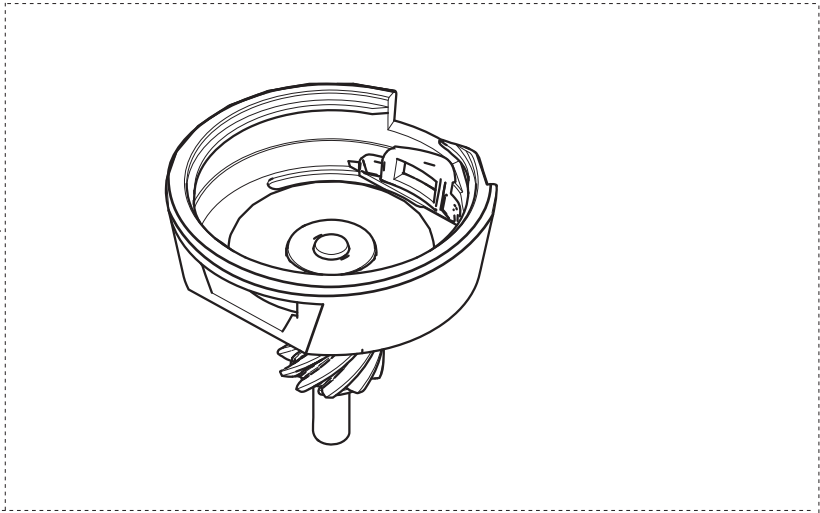
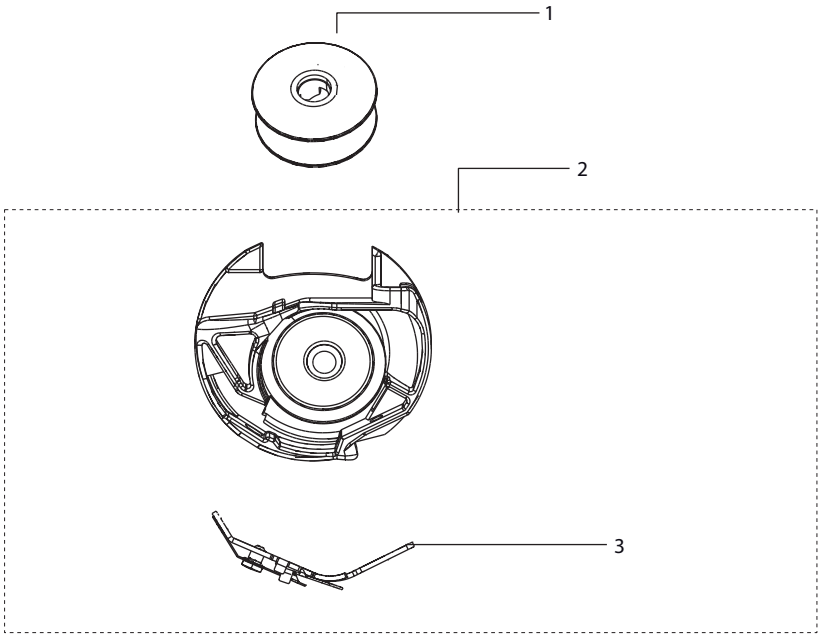
1	412964201	STITCH PLATE HV MM
2	413025601	RETAINER
3	412423701	THREAD CUTTER
4	412287903	SCREW
5	412964105	HOOK COVER
6	412997701	ESD SPRING, STITCH PLATE
7	412963901	BOBBIN COVER

E2



1	412964201	STITCH PLATE HV MM
2	413025601	RETAINER
3	412423701	THREAD CUTTER
4	412964002	HOOK COVER CPL. CUT. AND SENS.
5	412287903	SCREW
6	412964105	HOOK COVER
7	412997701	ESD SPRING, STITCH PLATE
8	413101502	CABLE ASS. BOBBIN SENSOR
9	413007301	FETCHER UPPER THREAD
10	413010001	GUIDE PIN
11	412280501	SCREW, COUNTERSUNK
12	413007101	FETCHER
13	413072201	CONNECTING PART, FETCHER
14	413116701	THREAD BRAKE
15	413047301	KNIFE HOLDER CPL.
16	413007701	KNIFE HOLDER
17	412963901	BOBBIN COVER
18	413007401	STEPPING MOTOR CPL.
19	411966828	SCREW PT 30*6 FZB TORX
20	413072501	CUT SENSOR ASS.
21	735612440	COMPRESSION RINGS Ø3
22	412056006	SCREW TAPTITE M4*12 TORX
23	413007502	MOTOR PLATE CPL.

F

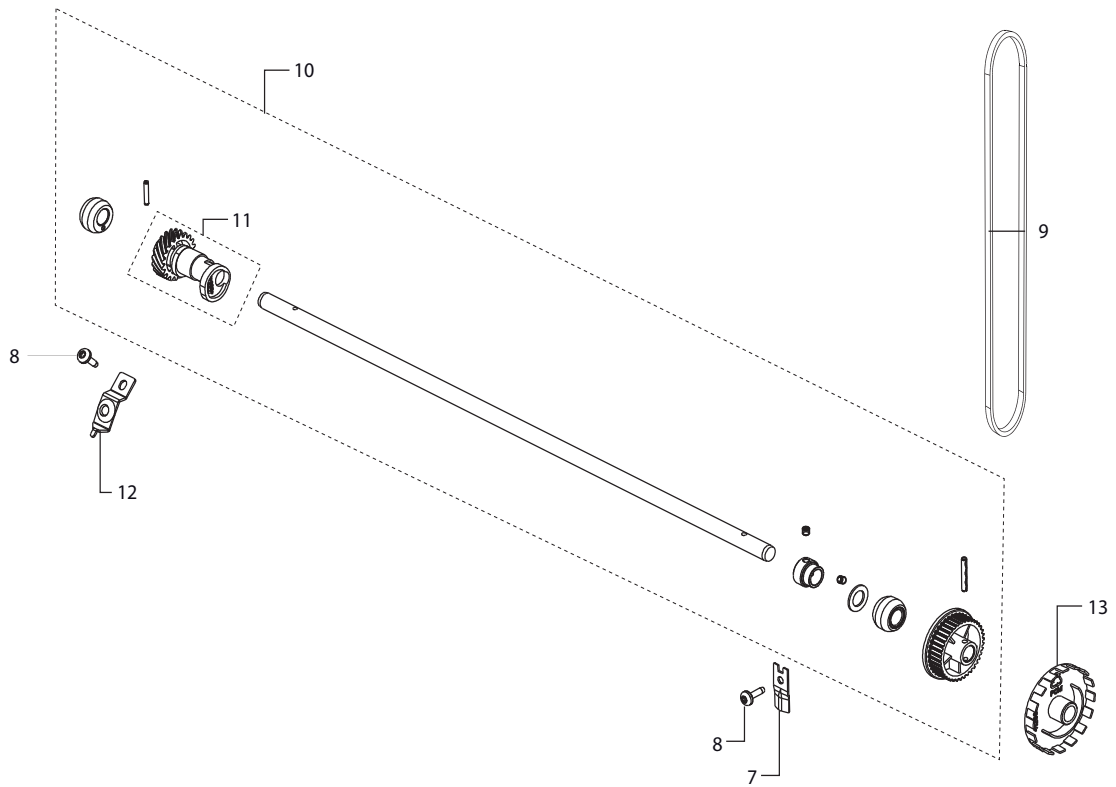
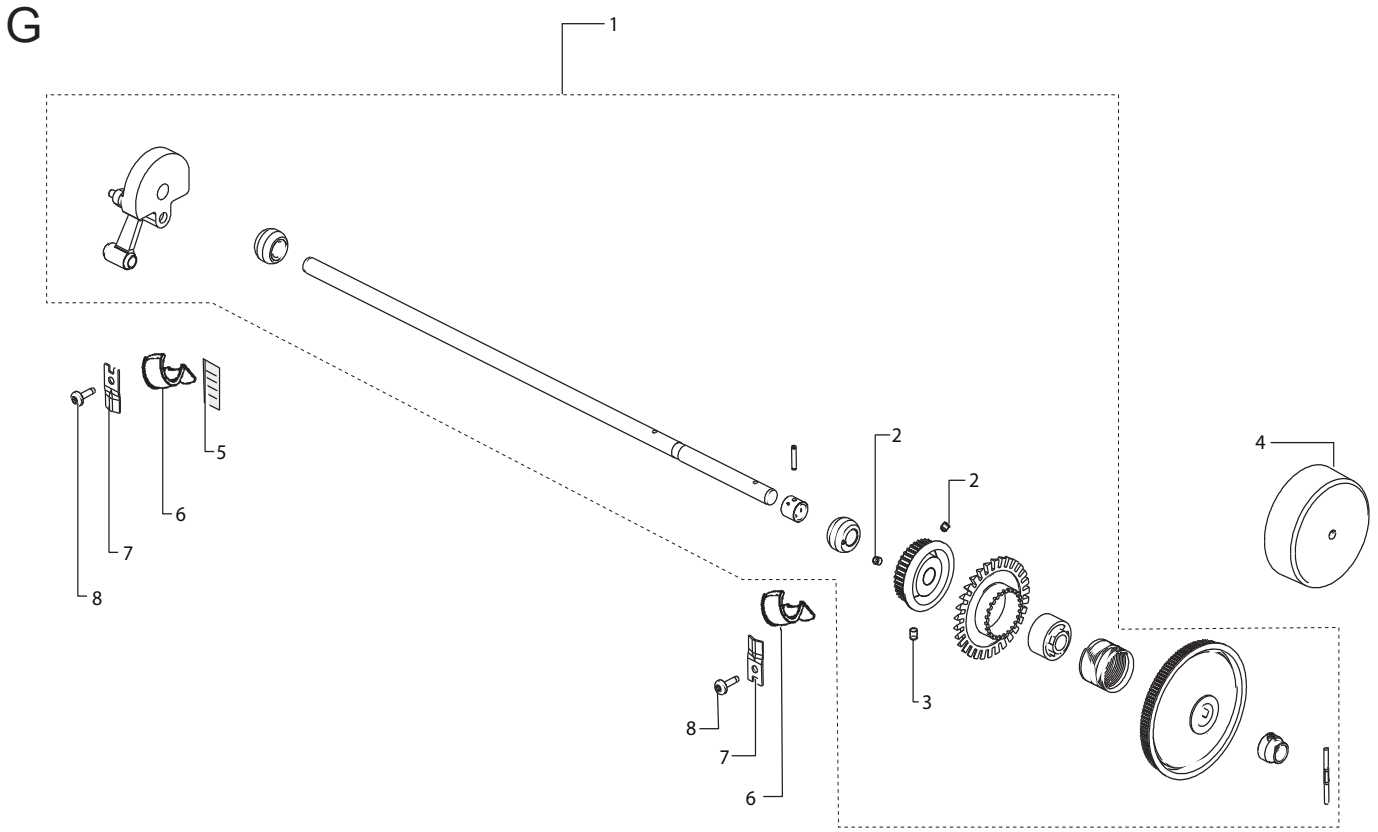


Sapphire

F

1	413182545	BOBBINS
2	413058901	BOBBIN CASE CPL.
3	412471601	THREAD TENSION CPL.
4	412876902	HOOK CPL WITH SHAFT
5	412930101	SPRING, HOOK
6	412964502	DUST COVER
7	728528705	SCREW M4*8 ROSE

Sapphire

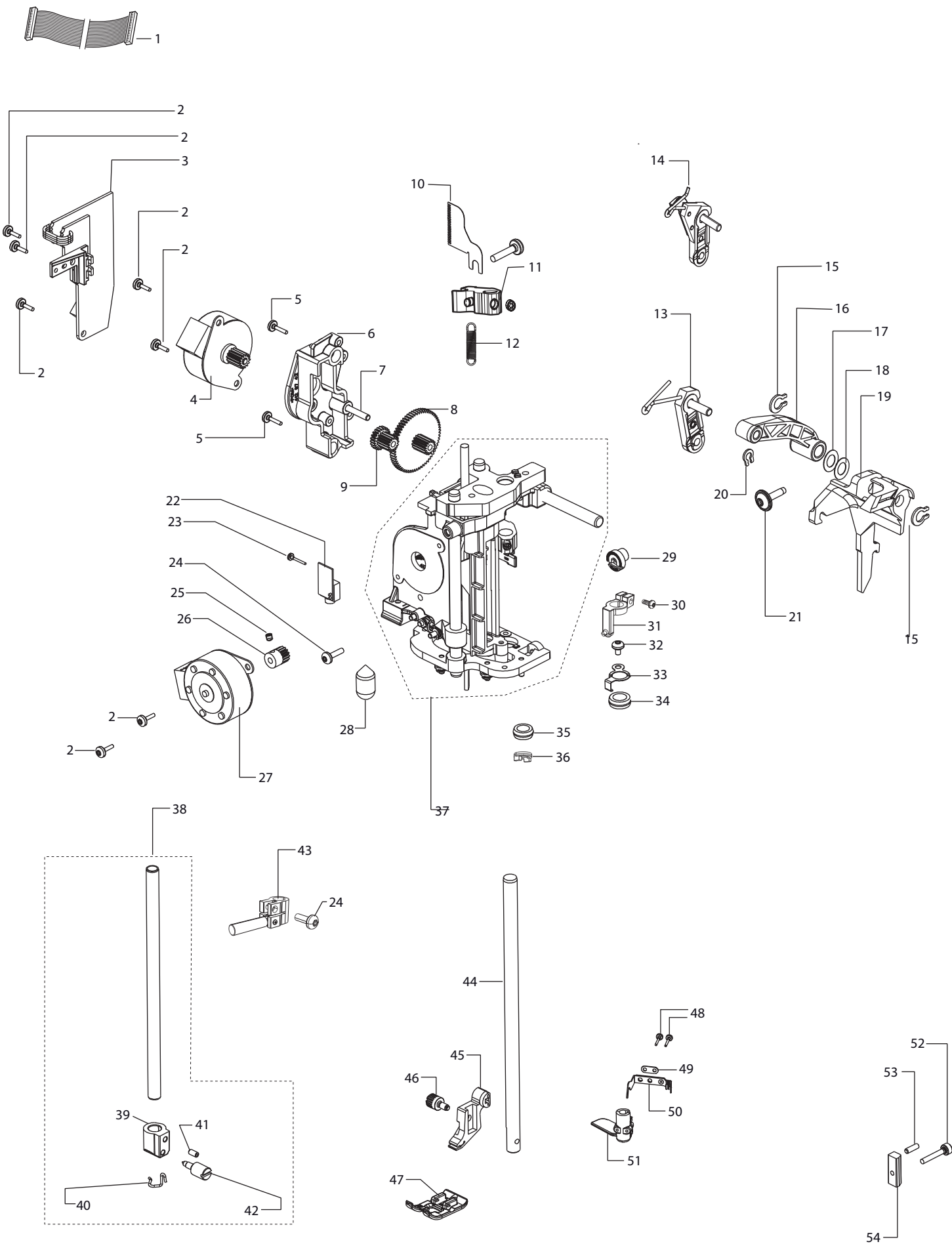


Sapphire

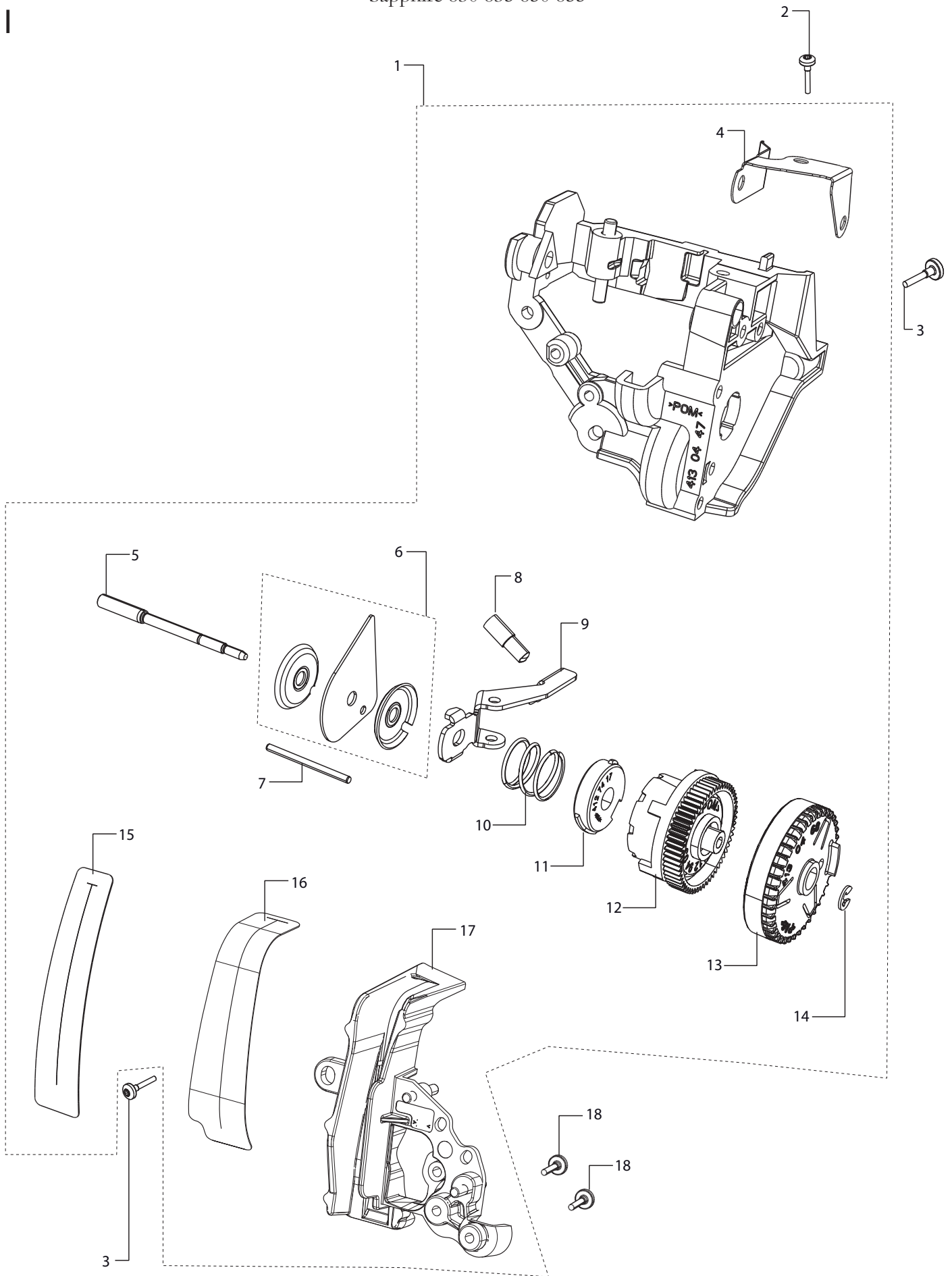
G

1	412966702	UPPER SHAFT CPL.
2	411968706	SET SCREW FLAT,M4*4 TORX
3	411968807	SET SCREW POINTED, M4*6 TORX
4	412954601	HAND WHEEL
5	412687601	GROUND TAPE
6	412558401	ABSORBER
7	412328401	CLAMP
8	412056006	SCREW TAPTTITE M4*12 TORX
9	413020301	COG BELT UPPER-LOWER SHAFT
10	412967901	LOWER SHAFT CPL.
11	412964401	ECCENTRIC FEED CPL.
12	412318101	CLAMP LOWER SHAFT
13	412968101	SHIELD, REVOLUTION INDICATOR

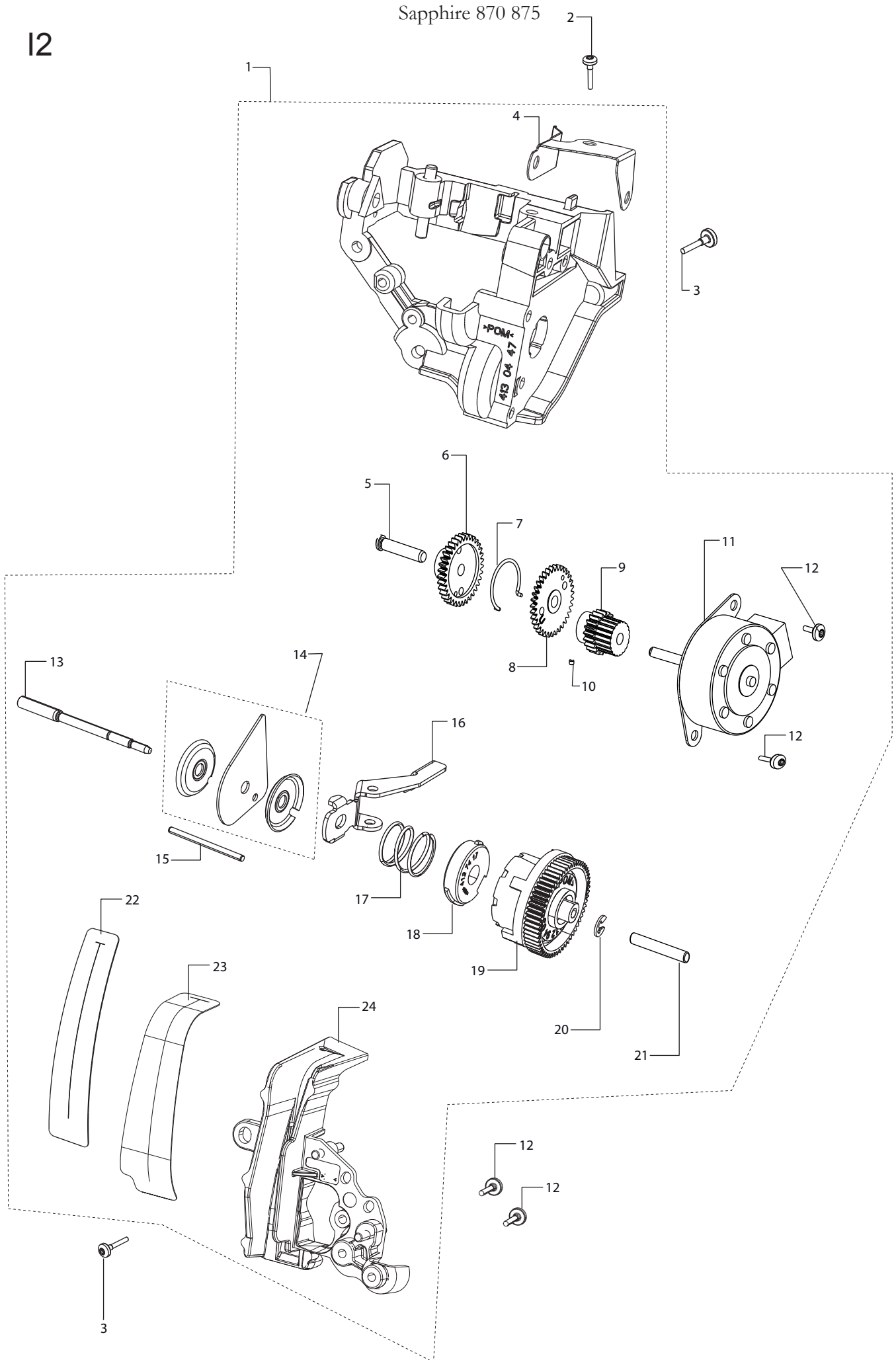
H



1	412546912	CABLE ASSEMBLY (18P)
2	411966801	SCREW PT 30*7,5 FZB TORX
3	413015501	CONN.BOARD SERVO SENS.
4	413005901	STEPPING MOTOR CPL.
5	411966820	SCREW 30*10 FZB KOMBITORX
6	412974201	GEAR HOUSE, SERVO
7	412316010	INA PIN NRB 3*17,8 0-3UM
8	412974401	GEAR WHEEL, SERVO SEC.
9	412974301	GEAR WHEEL SERVO PRIM.
10	412973901	SHIELD, PRESSER FOOT SERVO
11	413261601	GUIDE, SERVO CPL.
12	N/S	SPRING, PRESSER FOOT PRESSURE
13	412394401	THREAD TAKE UP, VER1
14	413300302	TAKE UP LEVER, VER2
15	735615340	COMPRESSION RINGS Ø6
16	413047401	LINK
17	411980601	WASHER
18	412001301	SPRING WASHER Ø6,1/9*0,1
19	413048902	LEVER,THREAD RELEASER
20	735613640	COMPRESSION RINGS Ø4
21	413169401	COLLAR SCREW TT TORX 4*14
22	413031001	BUTTONSENS. CONN. ASS.
23	411966821	SCREW PT 18*10 FZB TORX
24	412211404	SCREW M3*10 TORX
25	411968703	SET SCREW FLAT, M3*3 TORX
26	413057201	GEAR, Z-Z
27	412993901	STEPPING MOTOR
28	413181802	LAMP 24V, 5W, PREPACKED
29	412966501	CALIBRATION KNOB
30	413019001	SCREW K 30*8 PT WN 1452-S
31	412993501	STROKE LIMITER
32	412211401	SCREW M3*4 TORX
33	413060301	CLIPS, GABLE LOWER
34	412500601	BEARING
35	412501501	BEARING 10/6,35-4
36	412504701	LOCKING DEVICE
37	413244201	SEWING HEAD CPL.
38	412581703	NEEDLE BAR CPL.
39	412581802	NEEDLE CLAMP
40	412581901	THREAD GUIDE
41	728521905	SOCKET SET SCREWS, FLAT POINT
42	412732301	SCREW NEEDLE CLAMP
43	412993603	CROSS HEAD CPL.
44	412285403	PRESSER BAR
45	412411201	HOLDER, PRESSER FOOT
46	412409701	SCREW PRESSERSHAFT
47	412764001	PRESSER FOOT A 7MM
48	411966825	SCREW PT 16*8 FZB TORX
49	412876701	WASHER, NEEDLE THREADER
50	413238402	NEEDLE THREADER
51	412876801	HOLDER, NEEDLE THREADER
52	725522805	SCREW M3*16 INSEX
53	728522205	SOCKET SET SCREW FLAT POINT
54	412966601	WEDGE

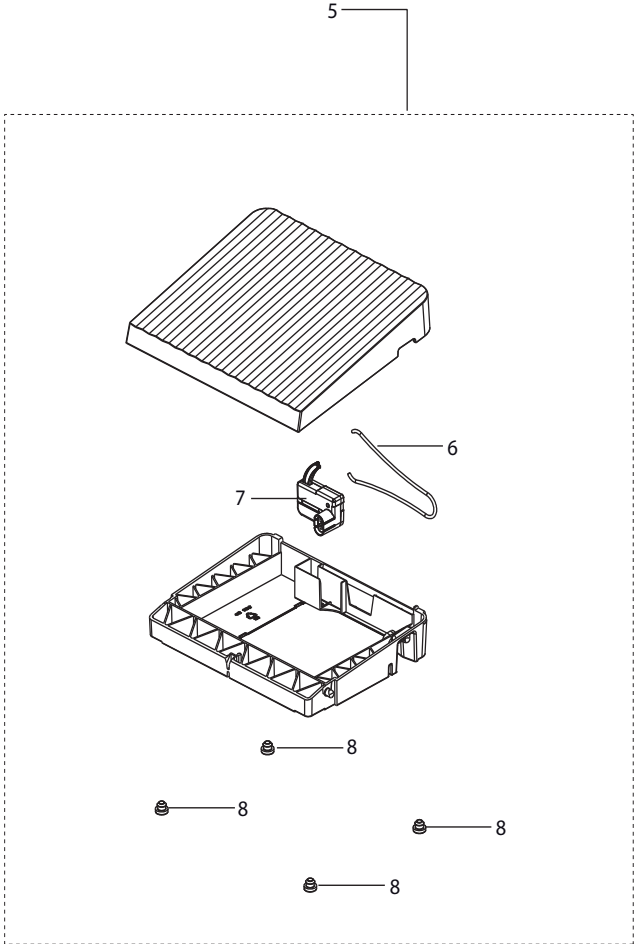
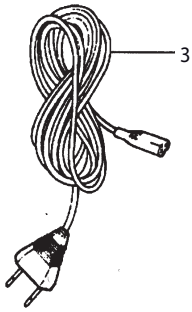
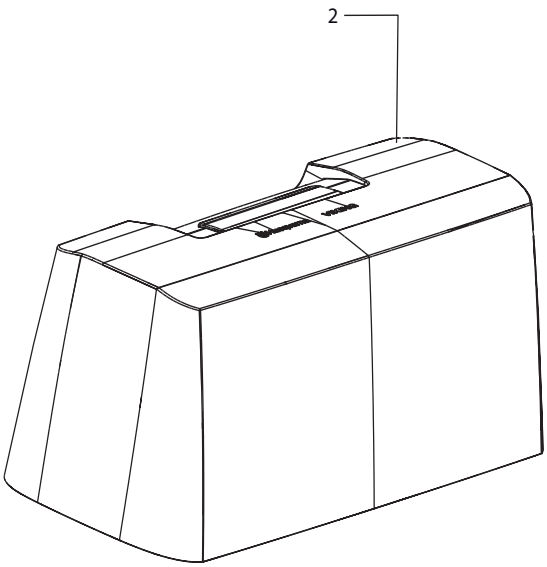
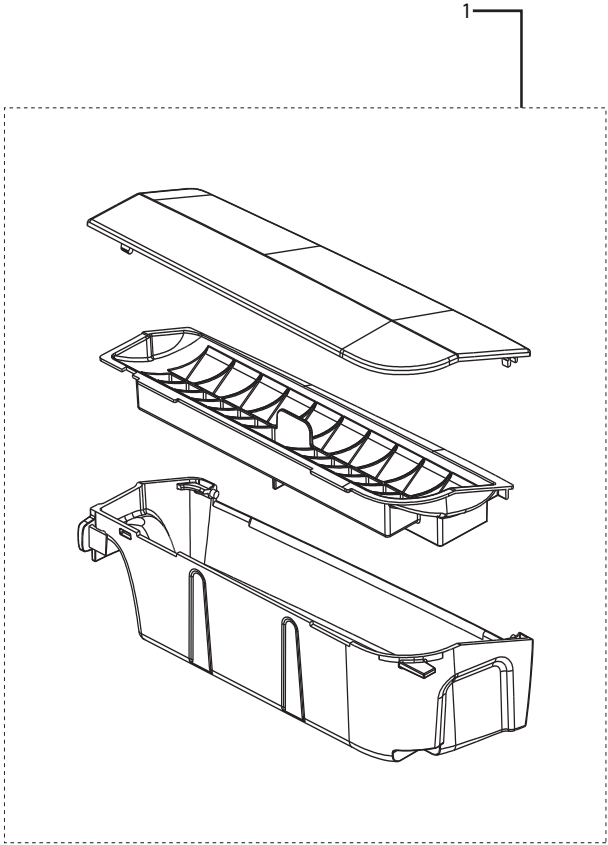


1	412940202	THREAD TENSION ASS.
2	411966803	SCREW PT 30*12 FZB TORX
3	411966807	SCREW PT 40*10 FZB TORX
4	412940602	CONTACT SPRING THREAD TENSION
5	412940101	SHAFT, THREAD TENSION
6	413106402	THREAD DISK KIT
7	413113201	PIN
8	412962801	ADJUSTING SCREW, FEED DOG
9	412940501	RELEASE LEVER, THREAD TENSION
10	413159501	COMPRESSION SPRING, THREAD TENS.
11	412741701	NUT THREAD TENSION
12	413303401	SPRING HOUSING CPL.
13	413046802	ADJUSTING DIAL
14	735310620	LOCK WASHER 2.3
15	413017901	PROTECTION THREAD TAKE UP, VER1
16	413218502	SEALING, TAKE UP LEVER, VER2
17	413232201	SHIELD, TAKE UP LEVER, ASS, VER2
18	411966820	SCREW 30*10 FZB KOMBITORX



1	412940203	THREAD TENSION ASS.
2	411966803	SCREW PT 30*12 FZB TORX
3	411966807	SCREW PT 40*10 FZB TORX
4	412940602	CONTACT SPRING THREAD TENSION
5	413056002	SHAFT, THREAD TENSION
6	413059101	INTERMEDIATE GEAR, FIXED
7	412442801	SPRING GEAR WHEEL
8	413059202	INTERMEDIATE GEAR, MOVABLE
9	412742401	GEAR, FIXED
10	411968703	SET SCREW FLAT, M3*3 TORX
11	412993903	STEPPING MOTOR
12	411966820	SCREW 30*10 FZB KOMBITORX
13	412940101	SHAFT, THREAD TENSION
14	413106402	THREAD DISK KIT
15	413113201	PIN
16	412940501	RELEASE LEVER, THREAD TENSION
17	413159501	COMPRESSION SPRING, THREAD TENS.
18	412741701	NUT THREAD TENSION
19	413303401	SPRING HOUSING CPL.
20	735310620	LOCK WASHER 2.3
21	412316060	INA PIN NRB 3*23,8 0-2UM
22	413017901	PROTECTION THREAD TAKE UP, VER1
23	413218502	SEALING, TAKE UP LEVER, VER2
24	413232201	SHIELD, TAKE UP LEVER, ASS.

J



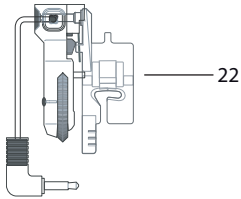
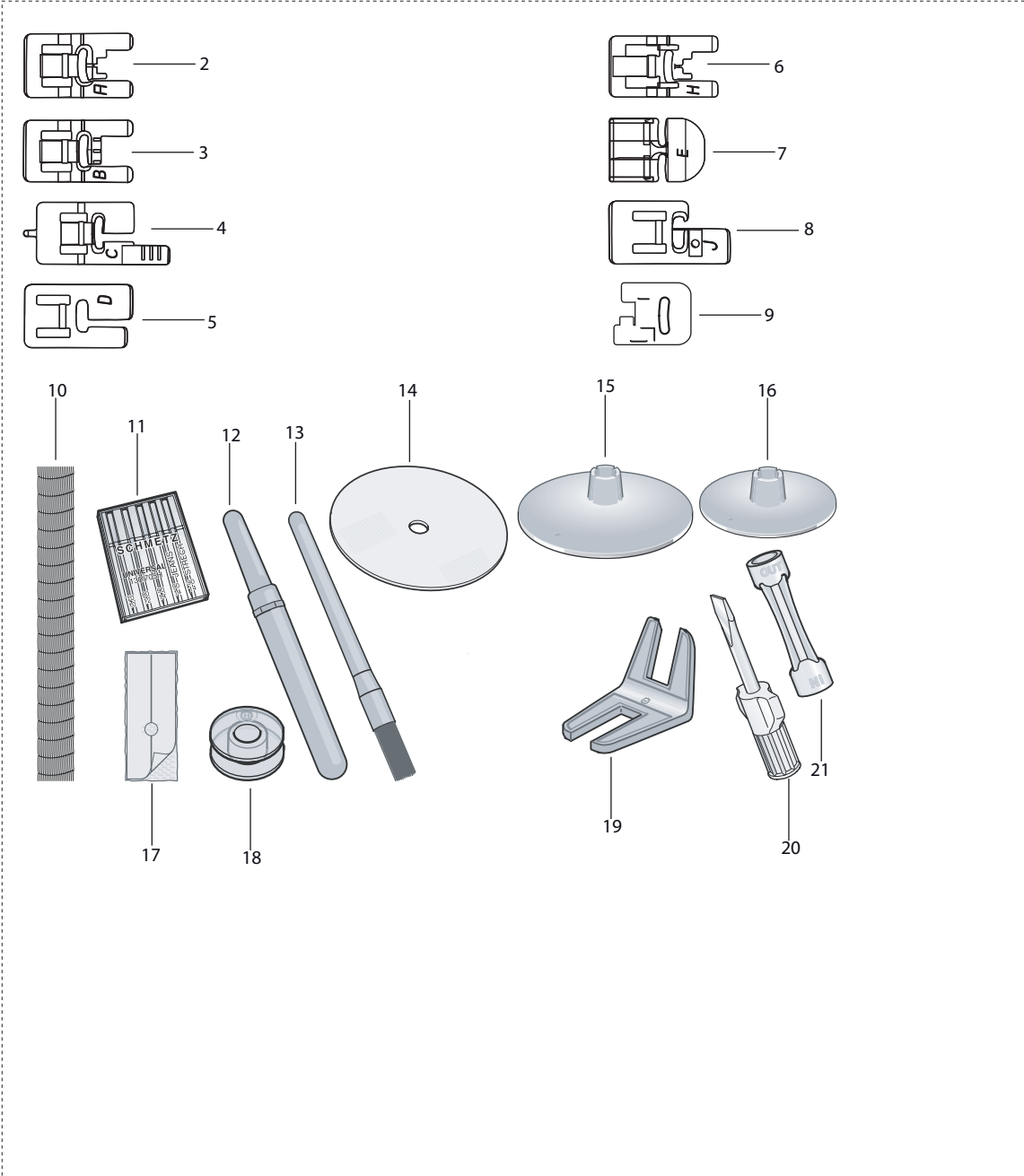
Sapphire

J

1	412983901	ACCESSORIES BOX CPL.
2	413018703	HARD COVER CPL.
3	412157801	NET CABLE 220V
	412157902	NET CABLE 120V JP
	412157903	NET CABLE 120V
	412158002	NET CABLE GB
	412158101	NET CABLE AU
4	413021501	CABLE, FOOT CONTROL
5	412991402	FOOT CONTROL CPL. WHITE N.WIND
6	412159801	SPRING
7	412318901	SPEED CONTROL UNIT
8	412184501	FOOT

K

1



Sapphire

K

1	413021606	STD. ACC.CPL.
	413021607	STD.ACC. CPL.
2	412764001	PRESSER FOOT A 7MM
3	413113646	PRESSER FOOT B CPL.
4	412785345	BUTONHOLE PRESSER FOOT C
5	412380445	BLIND HEM FOOT D
6	412796145	SMOOTH GLIDE FOOT M
7	412801545	ZIPPER PRESSER FOOT
8	412380645	EDGING PRESSER FOOT J. PIN PAC
9	412849801	EMBROIDERY FOOT R CPL.
10	412397701	THREAD NET 15*100
11	N/S	NEEDLES
12	401539901	SEAM RIPPER
13	401555501	BRUSH
14	412610701	FELT PAD
15	413051603	SPOOL HOLDER 45MM
16	413051602	SPOOL HOLDER 35MM
17	412827401	GLIDE SOLE, BUTTONHOLE FOOT
18	413182545	BOBBINS
19	413105601	CLEARANCE PLATE
20	412381501	SCREW DRIVER
21	412570101	SLEEVE, LAMP
22	412815102	BUTTONHOLE SENSOR FOOT CPL.